



PeerlessBoilers.com

Peerless® PINNACLE®

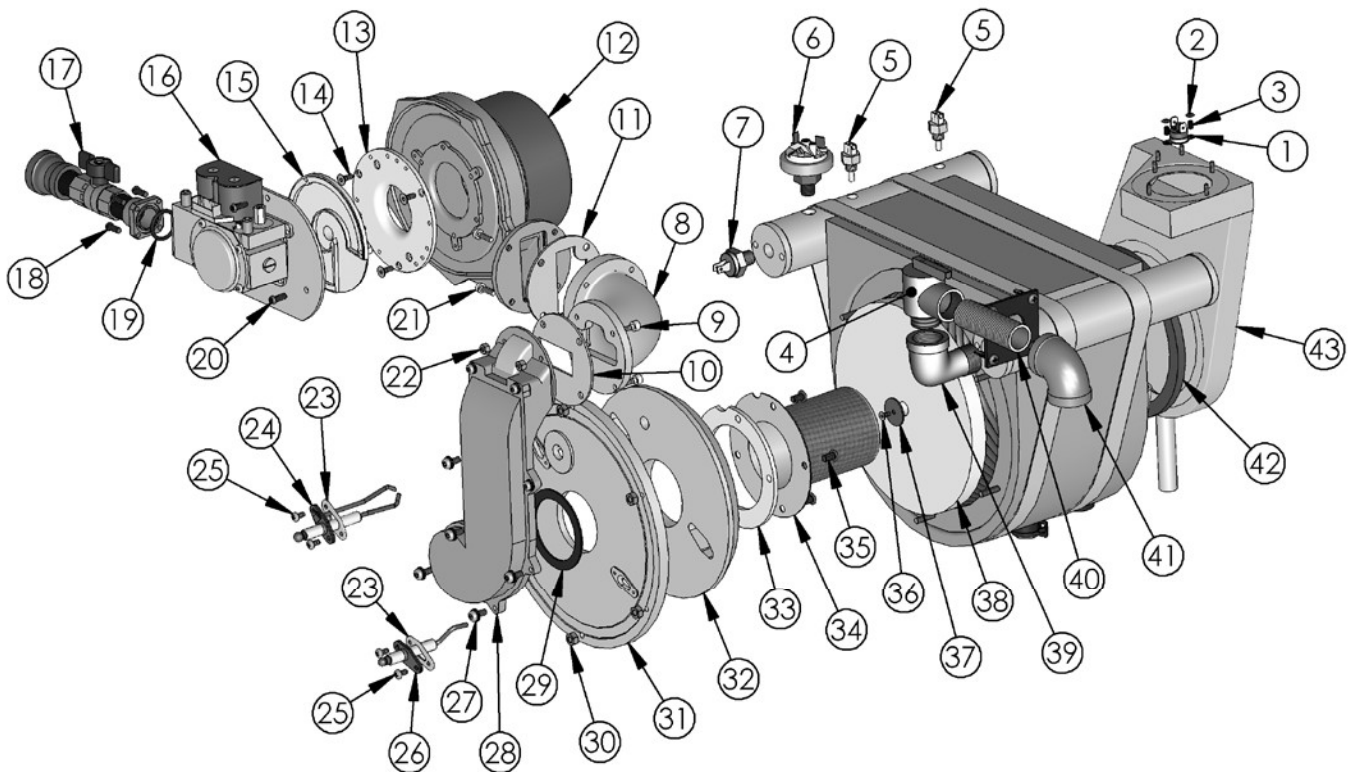
All repair parts orders - no minimum charges.

Please order with code number.

All prices quoted are in U.S. dollars.

All prices subject to change without notice.

All prices F.O.B. Bally, PA



PI-T50 & PI-T80



PeerlessBoilers.com

Peerless® PINNACLE®

All repair parts orders - no minimum charges.

Please order with code number.

All prices quoted are in U.S. dollars.

All prices subject to change without notice.

All prices F.O.B. Bally, PA

PI-T50 & PI-T80

	Description	Quantity Required	Stock Code
1	Switch Temp Vent 210°F	1	91429
2	Spring Clip, (Local Hdwr Supply)	2	-
4	SRV 30 PSI Relief Valve	1	91430
5	Temperature Sensor	2	91435
6	Water Pressure Limit Switch Tapered Thread (Strapped Headers)	1	91609
7	Water Temperature Limit Switch	1	91410
8	Pre-Mix Elbow	1	-
9	Screw, M5 x 14mm, (Local Hdwr Supply)	8	-
10	Gasket, Pre-Mix Channel Intake – REV 0, REV 1	1	91600
11	Gasket, Blower Outlet	1	91500
12	Combustion Blower – PI-80: REV 0, REV 1; PI-T50, PI-T80: All REVS	1	91423
13	Gas Valve Adapter Plate Dungs	1	91545
14	Screw, M4 x 10mm, (Local Hdwr Supply)	3	-
15	Swirl Plate – PI-T50, Blue, PP	1	91592
	Swirl Plate – PI-T80, White, PP	1	91542
16	Gas Valve Combination – PI-T50	1	91478
	Gas Valve Combination – PI-T80	1	91479
17	Manual Shut-off Valve, 1/2" NPT, (Local Hdwr Supply)	1	54130
18	Screw M4 x 12mm Phil Rd Hd, (Local Hdwr Supply)	2	-
18a	Screw M5 x 12mm Phil Rd Hd, (Local Hdwr Supply)	2	-
19	O-Ring, 3/4"	2	91512
20	Screw, M4 x 10mm, (Local Hdwr Supply)	3	-
21	Screw, M5 x 12mm, (Local Hdwr Supply)	4	-
22	Nut, M5, (Local Hdwr Supply)	4	-
23	Gasket, Sensor / Igniter	2	91491
24	Ignition Electrode – PI-T50, REV 0, REV 1, REV 2	1	91467
	Ignition Electrode – PI-T80, REV 0, REV 1	1	91411
	Ignition Electrode – PI-T80, REV 2	1	91550
25	Screw, M4 X 8mm, (Local Hdwr Supply)	4	-
26	Flame Sensor – REV 0, REV 1	1	91412
	Flame Sensor – REV 2	1	91551
27	Screw, M4 X 8mm, (Local Hdwr Supply)	8	-
28	Pre-Mix Channel	1	91604
29	Gasket, Pre-Mix Channel Outlet	1	91600
30	Nut, M10, (Local Hdwr Supply)	6	-
31	Burner Door – REV 0, REV 1	1	91601
	Burner Door – REV 2	1	91557
32	Burner Door Refractory – REV 0, REV 1	1	91433
	Burner Door Refractory – REV 2	1	91558
33	Gasket, Burner	1	91440
34	Burner – PI-T50	1	91472
	Burner – PI-T80	1	91407
35	Burner Screw M6 x 10mm Phil Rd Hd, Brass (Local Hdwr Supply)	4	-
36	Screw, M4 X 8 mm, Stainless, (Local Hdwr Supply)	1	-
37	Washer, Stainless (Local Hdwr Supply)	1	-
38	Target Wall Ceramic	1	91432
39	3/4 NPT Street, Brass 90, (Local Hdwr Supply)	1	-
40	3/4 NPT X 3", Brass Nipple, (Local Hdwr Supply)	1	-
41	Elbow - Brass 3/4 NPT (Local Hdwr Supply)	1	-
42	Gasket, Flue Collector	1	91594
43	Flue Collector	1	91593
48	Blocked Vent Pressure Limit Switch, (Supplied on later Units)	1	91498



PeerlessBoilers.com

Peerless® PINNACLE®

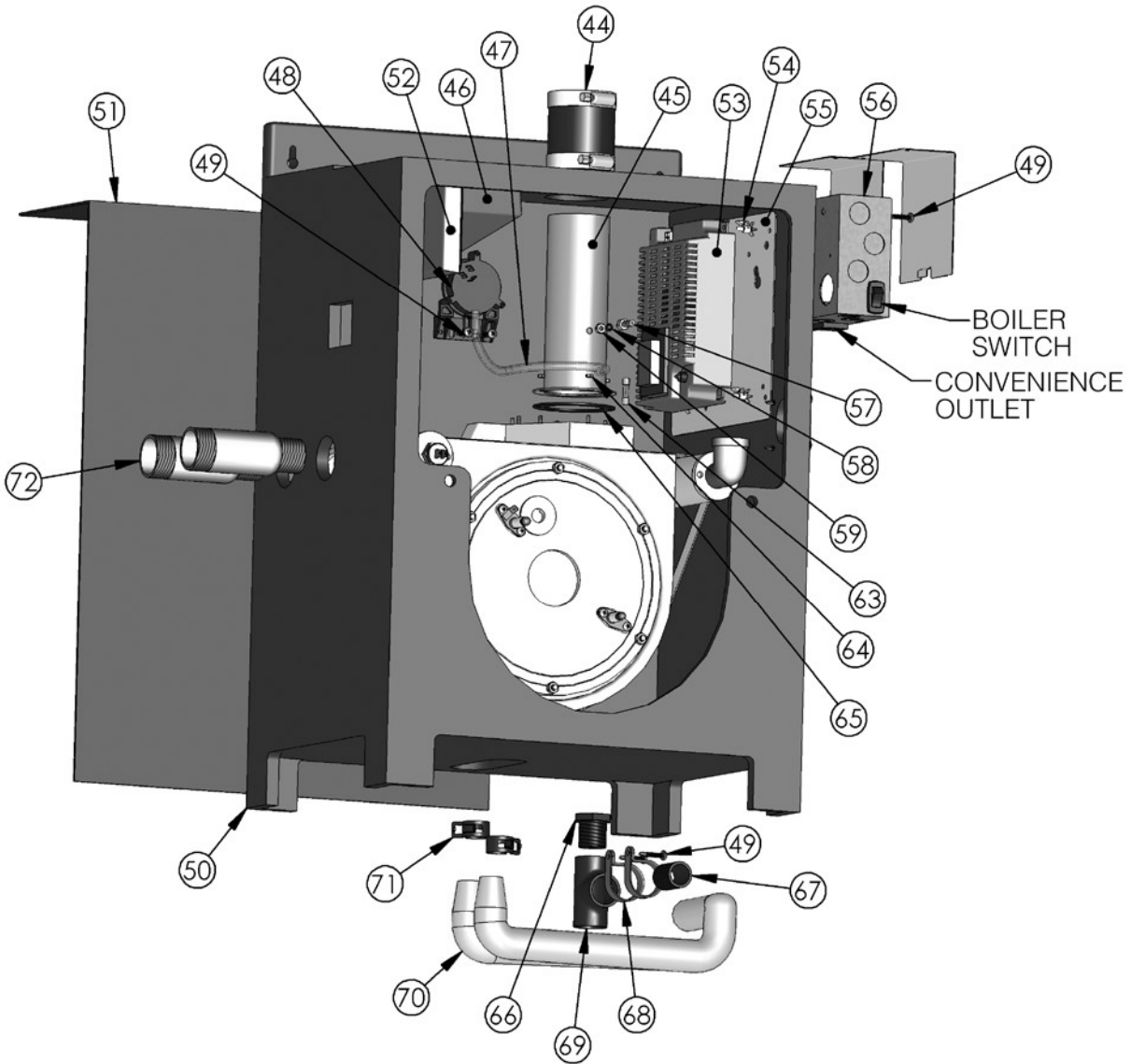
All repair parts orders - no minimum charges.

Please order with code number.

All prices quoted are in U.S. dollars.

All prices subject to change without notice.

All prices F.O.B. Bally, PA



PI-T50 & PI-T80



PeerlessBoilers.com

Peerless® PINNACLE®

All repair parts orders - no minimum charges.

Please order with code number.

All prices quoted are in U.S. dollars.

All prices subject to change without notice.

All prices F.O.B. Bally, PA

PI-T50 & PI-T80

	Description	Quantity Required	Stock Code
	Flue Adapter	1	91595
45	Exhaust Manifold Tube	1	91596
46	Air Intake Baffle	1	91599
47	Tubing 1/4" ID	1	-
48	Blocked Vent Pressure Limit Switch	1	91498
49	Screw Phil Rd Hd , Stainless (Local Hdwr Supply)	2	-
50	Leveling Foot, when supplied	-	91561
51	Front Jacket, Plastic	1	-
	P125 Control Board & Display w/ Fuse PI-T50 – REV 1/2	1	91613
	P825 Control Board & Display w/ Fuse PI-T80 – REV 1/2	1	91614
54	Mounting Clip – Control Board	6	91602
55	Mounting Panel – Control Board	1	91523
56	Terminal Box (Local Hdwr Supply)	1	-
57	Hose Barb Stainless 1/4" IDT x 10-32 (Local Hdwr Supply)	1	-
58	O-Ring 007 (Local Hdwr Supply)	1	-
59	Nut, Hex. 10-32 , Stainless (Local Hdwr Supply)	1	-
60	Low Voltage Wiring Harness (not shown)	1	91577
	9 Pin Wiring Harness 120V (not shown) – REV 0, REV 1	1	91467
61	9 Pin Wiring Harness 120V (not shown) – REV 2	1	91580
	9 Pin Wiring Harness 120V (not shown) High Altitudes , (Obsolete)	1	91486
62	5 Pin Wiring Harness 120V Harness (not shown) – REV 0, REV 1	1	91473
	5 Pin Wiring Harness 120V (not shown) – REV 2	1	91579
63	Spare Fuse, "Slow blow", Board 6.3Amp, Radio Shack # 270-1068	1	91471
64	Nut, Hex. M3, Stainless (Local Hdwr Supply)		-
65	Gasket, Exhaust Tube	1	91598
66	Vent Plug – 3/4" NPT Black PVC	1	-
67	3/4" NPT Nipple, Black PVC	1	-
68	Cable Clamp	1	-
69	3/4" NPT Tee, Black PVC	1	-
70	Condensate Hose	1	91518
71	Spring Clip, (Obsolete)	2	-
	Plastic Hose Clamp, (Current)	2	54139
72	Reducing Nipple Brass 1-1/4" NPT x 1" NPT	2	91499
N/S	Spark Ignition Cable (not shown) – P125, P825	1	91476
N/S	P125 20 Pin Control Harness (not shown) – REV 0, REV 1	1	91464
Vent Termination Kits			
N/S	2" Stainless Steel Vent Termination Kit	1	91465
N/S	2" Concentric Vent Termination Kit	1	91469
N/S	2" Sch 40 PVC Coupling	1	91453
N/S	2" Sch 40 PVC Tee	1	91454
N/S	2" Stainless Steel Screen	1	91451
N/S	3" Stainless Steel Vent Termination Kit	1	91402
N/S	3" PVC Coupling	1	91466
N/S	3" PVC Tee	1	91452
N/S	3" Stainless Steel Screen	1	91437
Accessories			
N/S	Condensate Neutralizer	1	91438
N/S	PC Service Software – REV 1	1	91490
N/S	PC Service Software – REV 2	1	91591
N/S	PC Interface Cable – REV 1, REV 2	1	91470
N/S	Analog Interface Adapter – REV 1, REV 2	1	91488
N/S	Pressure Temperature Gauge	1	91434
N/S	Outdoor Sensor – REV 2	1	91587
N/S	Indirect Tank Sensor – REV 2	1	91589
N/S	Conversion Kit PI-T50/PI-T80 (Nat to LP/ LP to Nat)	1	90553

§ = Limited availability of parts